

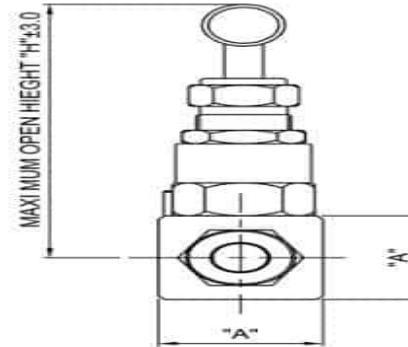
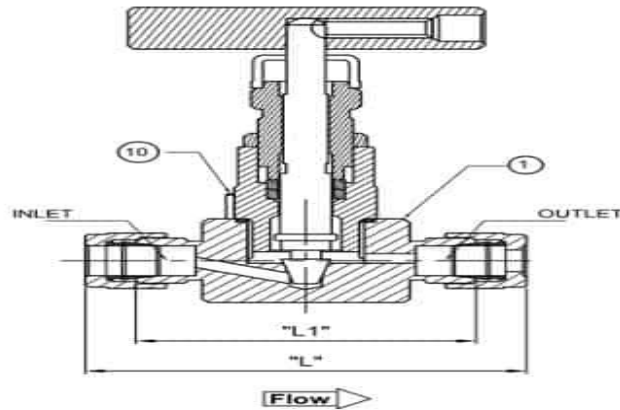
NEEDLE VALVE OD X OD -6000psi MNVOD

CONNECTION FOR (OD Tube X OD Tube)

Part No.	Inlet Tube OD Inch	Out Let Tube OD Inch	A	L	L1	"H"
MNVOD2	1/8"	1/8"	25.0	62.0	50.0	83.0
MNVOD4	1/4"	1/4"	25.0	68.0	52.0	83.0
MNVOD6	3/8"	3/8"	25.0	72.0	52.0	83.0
MNVOD8	1/2"	1/2"	25.0	72.0	52.0	83.0
MNVOD12	3/4"	3/4"	32.0	82.0	58.0	89.0

MEGALOK VALVES AND FITTINGS INDIA PRIVATE LIMITED

- All dimension are in millimeters unless as specified as 'inch'.
- Dimension are for reference only subject to change



NEEDLE VALVE OD X OD -6000psi MNVODM

CONNECTION FOR (OD Tube X OD Tube)

Part No.	Inlet Tube OD MM	Out Let Tube OD MM	A	L	L1	"H"
MNVOD3M	3	3	25.0	62.0	50.0	83.0
MNVOD4M	6	6	25.0	68.0	52.0	83.0
MNVOD8M	8	8	25.0	72.0	52.0	83.0
MNVOD10M	10	10	25.0	72.0	52.0	83.0
MNVOD12M	12	12	25.0	72.0	52.0	83.0
MNVOD16M	16	16	32.0	82.0	58.0	89.0
MNVOD18M	18	18	32.0	82.0	58.0	89.0

MEGALOK VALVES AND FITTINGS INDIA PRIVATE LIMITED

- All dimension are in millimeters unless as specified as 'inch'.
- Dimension are for reference only subject to change