

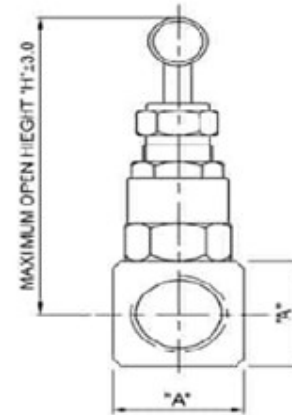
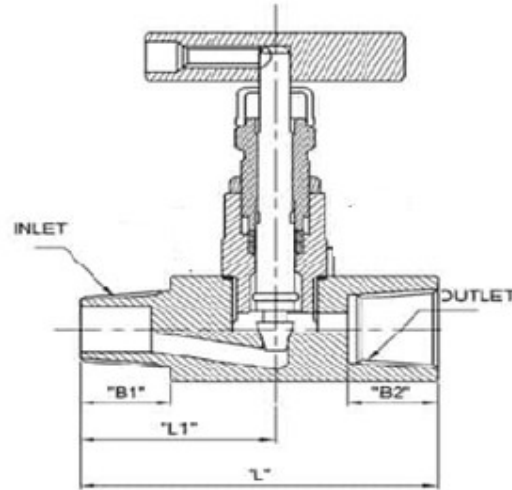
NEEDLE VALVE NPT MALE X FEMALE -6000PSI-MNVMFN

CONNECTION FOR NPT THREAD (FEMALE X MALE)

Part No.	Inlet	Out Let	A	B1	B2	L	L1	"H"
MNVMF2N	1/8"	1/8"	25.0	10.0	10.0	60.0	28.0	83.0
MNVMF4N	1/4"	1/4"	25.0	14.0	14.0	60.0	28.0	83.0
MNVMF6N	3/8"	3/8"	25.0	14.0	14.0	60.0	28.0	83.0
MNVMF8N	1/2"	1/2"	28.0	19.0	19.0	75.0	34.0	84.0
MNVMF12N	3/4"	3/4"	32.0	19.0	19.0	75.0	34.0	84.0
MNVMF16N	1"	1"	45.0	22.0	22.0	75.0	38.0	93.0

MEGALOK VALVES AND FITTINGS INDIA PRIVATE LIMITED

- All dimension are in millimeters unless as specified as 'inch'.
- Dimension are for reference only subject to change
- ISO tapered thread available on request



NEEDLE VALVE BSPP MALE X FEMALE-6000PSI-MNVMFB

CONNECTION FOR BSPP THREAD (FEMALE X MALE)

Part No.	Inlet	Out Let	A	B1	B2	L	L1	"H"
MNVFF2BP	1/8"	1/8"	25.0	10.0	10.0	60.0	28.0	83.0
MNVFF4BP	1/4"	1/4"	25.0	14.0	14.0	60.0	28.0	83.0
MNVFF6BP	3/8"	3/8"	25.0	14.0	14.0	60.0	28.0	83.0
MNVFF8BP	1/2"	1/2"	28.0	19.0	19.0	75.0	34.0	84.0
MNVFF12BP	3/4"	3/4"	32.0	19.0	19.0	75.0	34.0	84.0
MNVFF16BP	1"	1"	45.0	22.0	22.0	75.0	38	93.0

MEGALOK VALVES AND FITTINGS INDIA PRIVATE LIMITED

- All dimension are in millimeters unless as specified as 'inch'.
- Dimension are for reference only subject to change