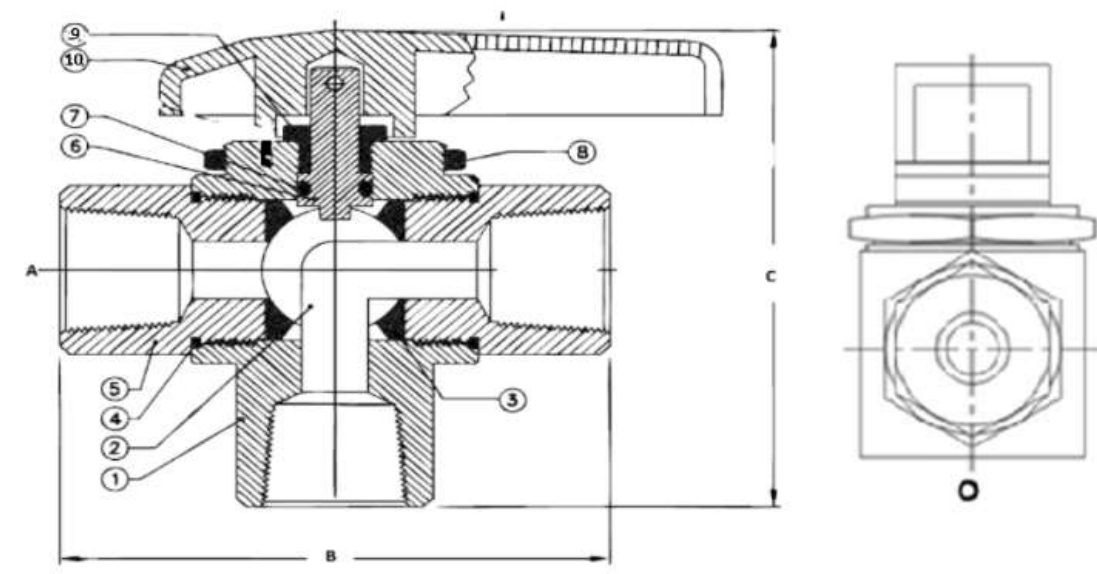




www.meghlock.com

PART NO	Inlet/Out let NPT	TOTAL LENGTH	HEIGHT	Orifice
	A	B	C	O
M-3WBVPM-2N	1/8"	82	86	2.4
M-3WBVPM-4N	1/4 "	82	86	6.4
M-3WBVPM-6N	3/8 "	86	88	9.5
M-3WBVPM-8N	1/2 "	92	94	12.0
M-3WBVPM-12N	3/4 "	98	103	19.0



**3WAY BALL VALVE PANAL MOUNT THREAD END 3000 PSI ORDER PART NO+MOC**

No	Spare Parts	SS316	SS304	Monal K 400	Inconel 625	Hastealloy C 276	A 105	Qty
1	BODY	SS316	SS304	Monal400	Inconel 625	Hastealloy C 276	A105	1
2	BALL	SS316	SS304	Monal400	Inconel 625	Hastealloy C 276	A105	1
3	SEATS	PTEF	PTEF	PTEF	PTEF	PTEF	PTEF	3
4	JOINT SEAL	VITON	VITON	VITON	VITON	VITON	VITON	3
5	ADAPTER	SS316	SS304	Monal400	Inconel 625	Hastealloy C 276	A105	3
6	SPINDLE	SS316	SS304	Monal400	Inconel 625	Hastealloy C 276	A105	1
7	O-RING	VITON	VITON	VITON	VITON	VITON	VITON	1
8	PANEL NUT	SS316	SS304	Monal400	Inconel 625	Hastealloy C 276	A 105	1
9	GLAND NUT	SS316	SS304	Monal400	Inconel 625	Hastealloy C 276	A105	1
10	HANDLE	NYLON	NYLON	NYLON	NYLON	NYLON	NYLON	1

MEGALOK VALVES AND FITTINGS INDIA PRIVATE LIMITED

- All dimension are in millimeters unless as specified as 'inch'.
- Dimension are for reference only subject to change
- BSPT/BSP available on request